

TETRA FIRE ENGINEERING PTE LTD

FIRE DETECTION AND EXTINGUISHING SYSTEMS

INDUSTRIES SERVE:

- MARINE
- REFINERY
- PHARMACEUTICAL

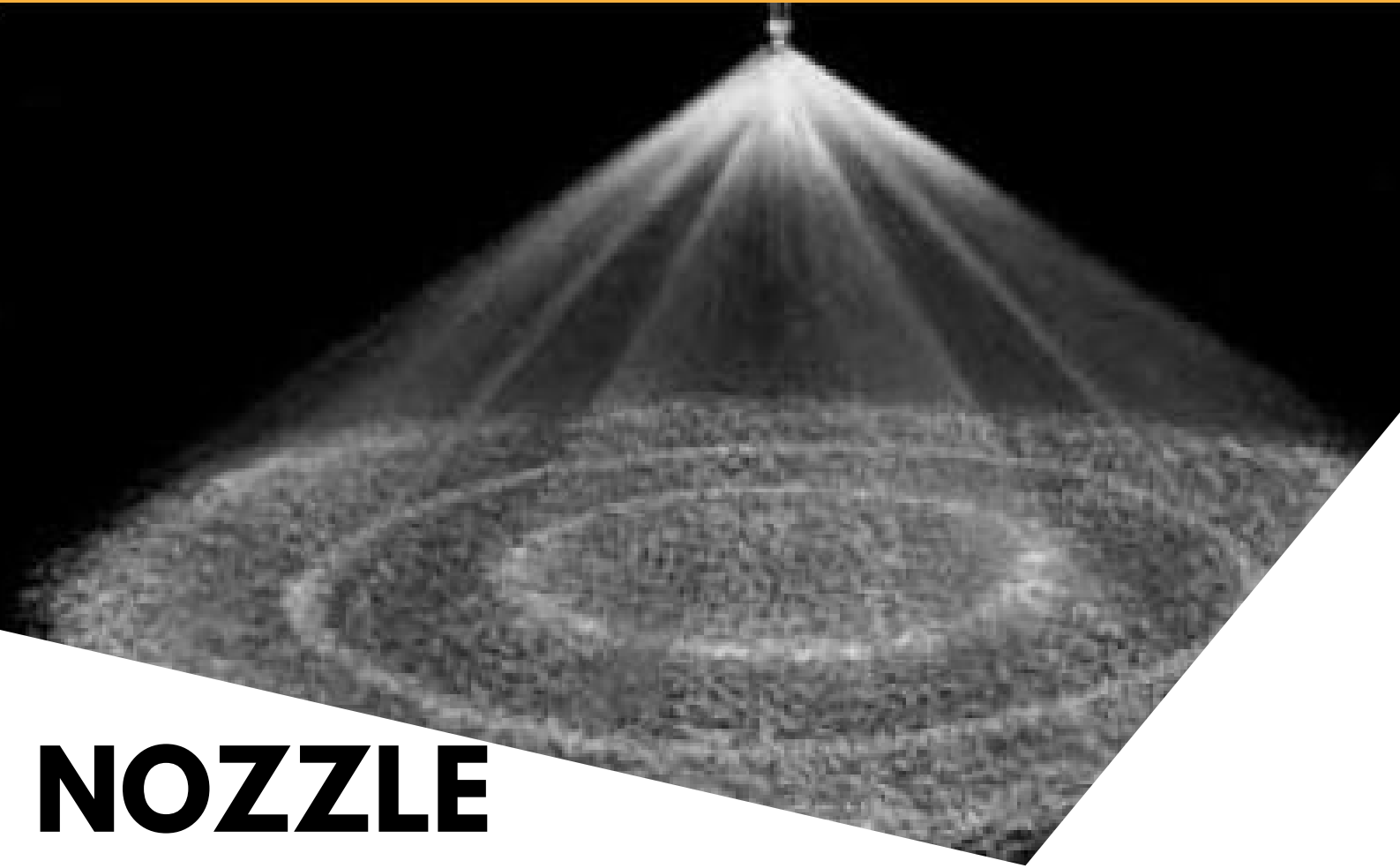


SEND YOUR
REQUEST



6841 4429

timothy@tetrafire.com



NOZZLE



SUPERIOR PERFORMANCE CHARACTERISTICS

- Sprays composed of droplets 30% to 50% smaller than conventional designs at equivalent pressures
- Extraordinarily large surface area of spray enhances evaporation and cooling
- Rugged, compact design
- Multiple concentric cone spray, unique to spiral pattern, maximizes contact

SUPERIOR FIRE/LOSS PREVENTION APPLICATIONS

- Gas wellhead protection
- Safeguarding ship-borne cargo
- Storage tank protection
- Secondary explosion protection in explosive dusty environments
- Mitigation of HF and other toxic gas releases

DESIGN FEATURES

- Simplicity of design
- One-piece/no internal parts
- Clog-resistant
- Three standard pipe sizes—1/2", 1", and 1-1/2"
- Male connection
- Factory Mutual, U.S. Coast Guard, and Lloyd's Register approved models

SPRAY CHARACTERISTICS

- Two spray cones, an outer wide-angle cone and a narrower inner cone, combine to give full cone effect

Spray pattern: Full Cone

Spray angles: 90° and 120° standard

Flow rates: 9.67 to 1720 l/min

**CAN BE SOLD AS
SPARE PART**



MOUSSOL[®]

APS 3/6 F-15 #3942

ALCOHOL RESISTANT AFFF FOAM CONCENTRATE

Approval

MOUSSOL[®]-APS 3/6 F-15 is tested/type approved as fire extinguishing agent for class A + B fires according to the following standards:



Certificate No.: KB-277/14

Part 3 (Heptane): IA/IA

Part 4 (Aceton): IA/IB --- (IPA): IA/IB



ICAO Airport Services Manual

Low expansion foam --- Level B



IMO MSC.1/Circ. 1312 non-polar (Heptane)

IMO MSC.1/Circ. 1312 polar (Alcohol)



MOUSSOL[®]

APS 3/6 F-15 #3942

ALCOHOL RESISTANT AFFF FOAM CONCENTRATE

Physical properties and technical data

MOUSSOL[®]-APS 3/6 F-15

Recommended induction rate	3% 6%	low expansion foam low expansion foam	non-polar liquids polar liquids
Foam expansion* (according to EN 1568)	5 - 10	low expansion foam*	
25%/50% water drainage time* (according to EN 1568)	4 - 8 minutes	8 - 15 minutes	low expansion foam*
Colour	yellow to brown		
pH value	at 20°C	6,5 - 8,5	
Density	at 20°C	1,040 ± 0,02 g/ml	
Sediments	none		
Surface tension/Spreading coefficient	< 17,5 mN/m	> 3 mN/m (Cyclohexane)	
Frost resistance	-15°C		
Viscosity	at 20°C at 0°C at -15°C	< 250(100) < 400(150) < 500(200)	mPa*s bei 75(375) 1/s mPa*s bei 75(375) 1/s mPa*s bei 75(375) 1/s

Environmental acceptability *MOUSSOL[®]-APS 3/6 F-15* is physiologically harmless and readily bio degradable. Fluorine components are not fully degradable. See material safety data sheet for further information.

Special notes *MOUSSOL[®]-APS 3/6 F-15* poses no health risk, provided it is used as intended as fire extinguishing foam. Fire fighting exercise and testing may have to be agreed with local authorities. Take into account when spraying persons with foam that they will not be able to breathe whilst covered with foam. See material safety data sheet for further information.

* Foam expansion and drainage times may vary, depending on foam equipment and operating pressure.




SMOKE DETECTOR 711P



**CAN BE SOLD AS
SPARE PART**

Approvals

	 TYCO FIRE & SECURITY GMBH NEUHAUSEN AM RHEINFALL 8212 SWITZERLAND 2831/20 0832/21	CPR APPROVALS			EUROPEAN APPROVALS		MARINE APPROVALS BS IEC 60092-504:2016 / BS IEC 60533-2015 / E10 IACS						
		EN54-7:2018	EN54-29:2015	EN54-5:2017+A1:2018	LPCB	VDS	MED/UK-MED	CCS	KRS	ABS	BV	DNV GL	LRS
711P	DOP-2020-4271 / 2831-CPR-F4423 / 2831-MED-1103 Module B / 0832-UKCA-CPR-F0091 / 0832-UKCA-MED-F1004	•			•		•	•	•	•	•	•	•



MCP Indoor Call Point Range Resistor & Clean Contact Model (Red Versions)

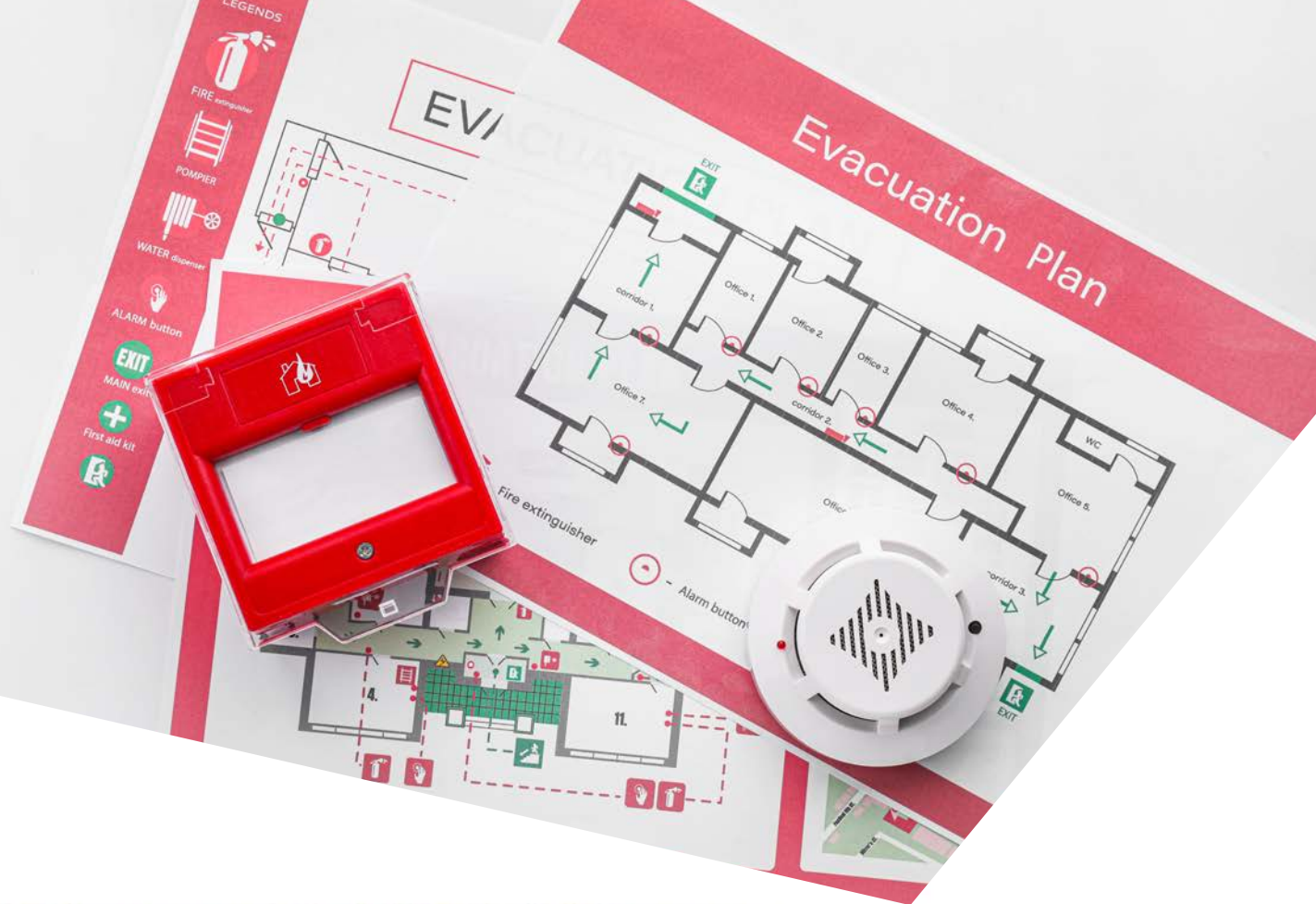


> Product Benefits

- Unique 'Plug & Play' installation concept
- Total 'Flex-Ability' in the choice of operating element
- Anti-Tamper facility
- Enhanced aesthetics
- Fully approved to the latest standards
- Backward compatibility



**CAN BE SOLD AS
SPARE PART**



MCP Indoor Call Point Range

Resistor & Clean Contact Model

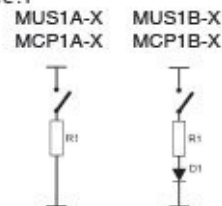
(Red Versions)



Electrical Specification

Connection Details: See Figure .1
 Cable Termination: 0.5-2.5mm²
 Maximum Voltage: 30VDC
 Current Rating (switch only): 2 Amps

Figure .1

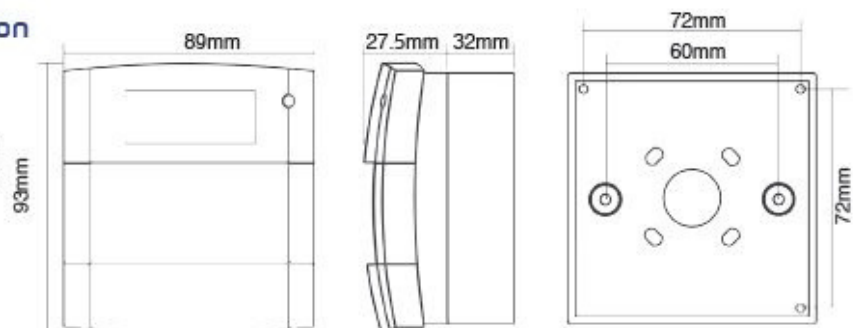


Environmental Specification

Humidity: 0-95% non-condensing
 Operating Temperature: -10°C to +55°C
 Storage Temperature: -10°C to +55°C
 Ingress Protection (IP) Rating: IP24D

Mechanical Specification

Material: PC/ABS
 Weight: 110g Flush
 160g Surface
 Colour: Red, Ra13001





WCP Outdoor Call Point Range Resistor & Clean Contact Model (Red Versions)

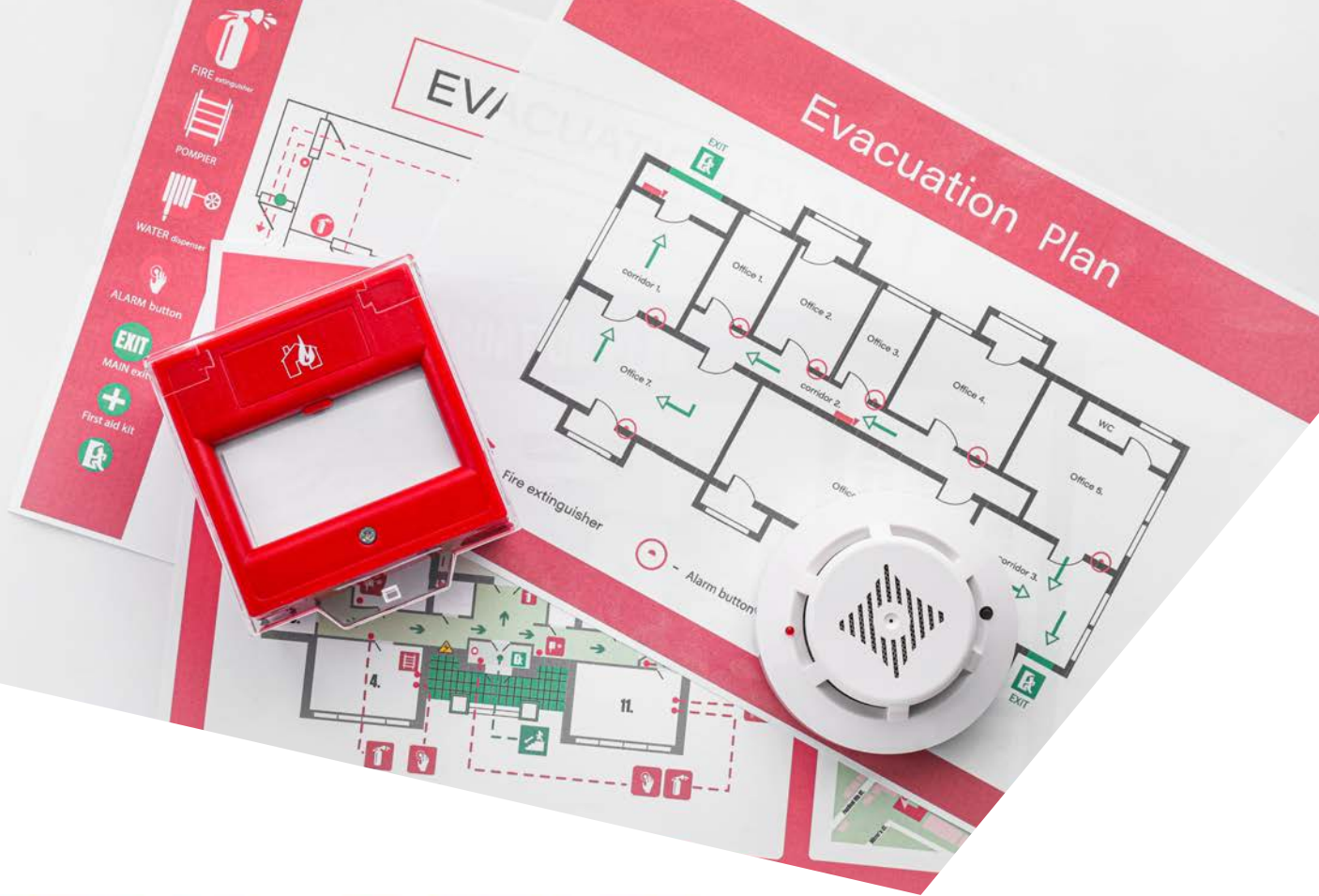


> Product Benefits

- Sealed to IP67
- Unique 'Plug & Play' installation concept
- Total 'Flex-Ability' in the choice of operating element
- Anti-Tamper facility
- Enhanced aesthetics and compact design
- Fully approved to the latest standards



**CAN BE SOLD AS
SPARE PART**



WCP Outdoor Call Point Range

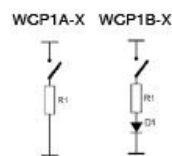
Resistor & Clean Contact Model (Red Versions)



Electrical Specification

Connection Details: See Figure .1
 Cable Termination: 0.5-2.5mm²
 Maximum Voltage: 30VDC
 Switch Rating: 2 Amps

Figure .1

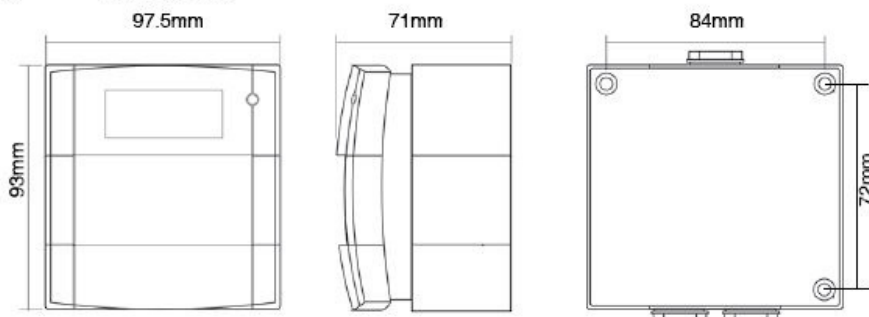


Environmental Specification

Humidity: 0-95% non-condensing
 Operating Temperature: -30°C to +70°C
 Storage Temperature: -30°C to +70°C
 Ingress Protection (IP) Rating: IP67

Mechanical Specification

Material: PC/ABS
 Weight: 240g
 Colour: Red, Ral 3001



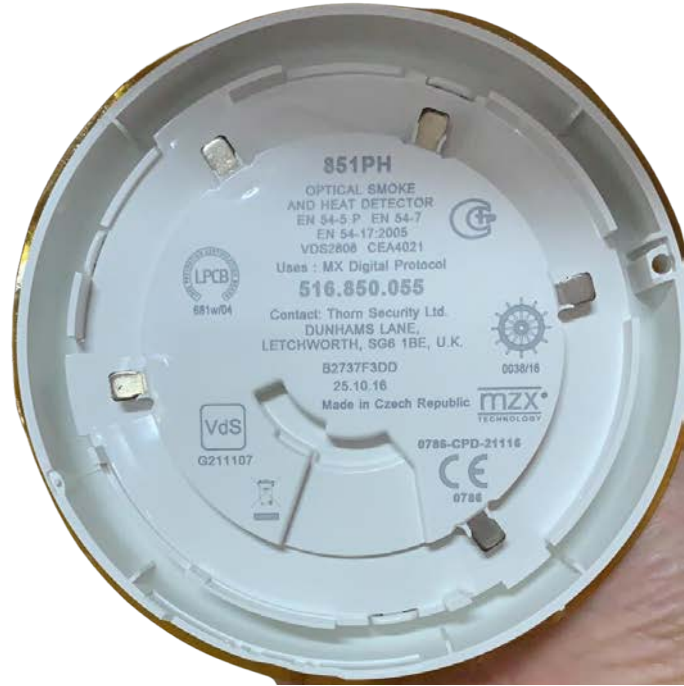


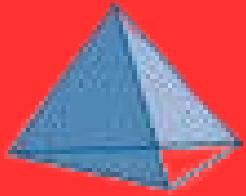
85 1 PH PHOTO HEAT DETECTOR



85 1PH Photo Heat Detector

With the ability to detect a wide range of fires from flaming to smouldering types, the combined optical and heat multi-sensor detector is the preferred choice for a range of applications. It operates in a number of approved modes and sensitivities that can be dynamically selected to suit different environmental conditions.





TETRA FIRE ENGINEERING PTE LTD

**SEND YOUR
REQUEST**



6841 4429



timothy@tetrafire.com

[HTTPS://WWW.TETRAFIRE.COM/](https://www.tetrafire.com/)